



MODEL 1000



USA PATENT #4741361 AND OTHER PATENTS PENDING

- ❑ The AGF Manufacturing Inc. Model 1000 **TESTANDRAIN** Provides Both The Test Function And The Express Drain Function For A Wet Fire Sprinkler System.
- ❑ The Model 1000 Complies With All Requirements Of NFPA-13, NFPA-13R, And NFPA-13D.
- ❑ The Model 1000 **TESTANDRAIN** Is A Single Handle Ball Valve That Is Light Weight And Compact, Includes A Tamper Resistant Test Orifice, Integral Tamper Resistant Sight Glasses, And Is 300 PSI Rated.
- ❑ Available In A Full Range Of Sizes From 3/4" To 2" NPT & BSPT, With All Specifiable Orifice Sizes 3/8", 7/16", 1/2", 17/32", 5/8" (ELO), & 3/4" (ESFR).
- ❑ The Orifice Size Is Noted On The Indicator Plate And The Valve Is Tapped For A Pressure Gauge.
- ❑ Locking Kit Available Which Provides Superior Vandal Resistance And Prevents Unintentional Alarm Activation.

Check Out Our New AutoCAD Site!
Visit us
on the Internet
at

www.testandrain.com



MODEL 1000

300 PSI



TEST AND DRAIN®

3/4"

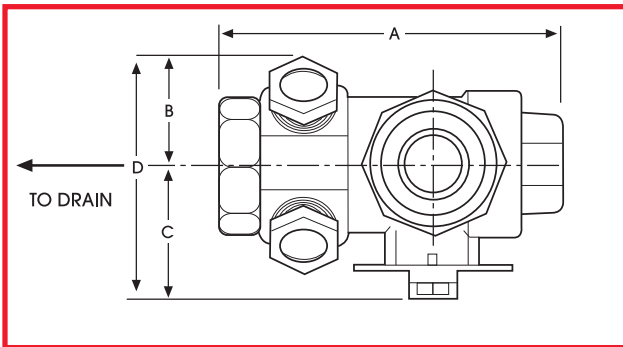
1"

1 1/4"

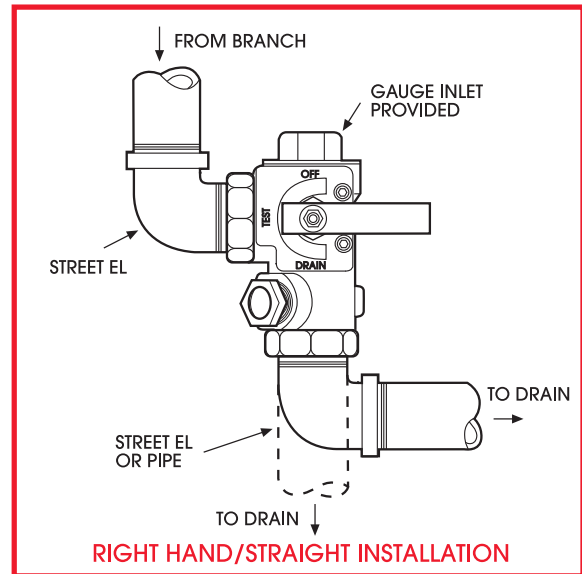
1 1/2"

2"

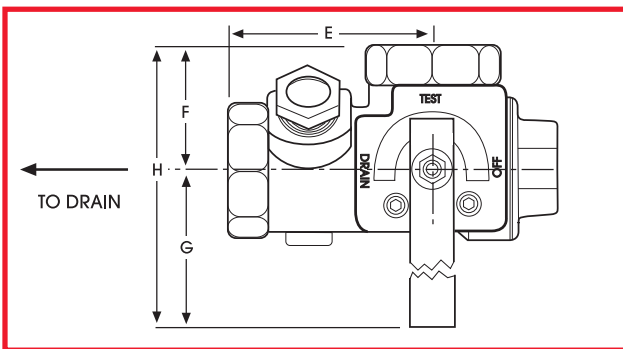
PLAN VIEW



FRONT VIEW/VERTICAL INSTALLATION



FRONT VIEW/HORIZONTAL INSTALLATION



APPROVALS:

- UL and ULC Listed
- FM Approved except 3/4"
- NYC-BSA NO. 720-87-SM
- CA. State Fire Marshall

ORIFICE SIZE

AVAILABLE - 3/8, 7/16, 1/2, 17/32, ELO(5/8)*, ESRF(3/4)*

DIMENSIONS - INCHES

SIZE	A	B	C	D	E	F	G	H
3/4" **	5 1/16" 128mm	1 1/2" 37.58mm	2 3/16" 55.65mm	3 5/8" 93.23mm	3 3/8" 85.88mm	1 13/16" 45.30mm	4 9/16" 117.12mm	6 3/8" 162.42mm
1"	5 1/16" 128mm	1 1/2" 37.58mm	2 3/16" 55.65mm	3 5/8" 93.23mm	3 3/8" 85.88mm	1 13/16" 45.30mm	4 9/16" 117.12mm	6 3/8" 162.42mm
1 1/4"	5 7/16" 137.70mm	1 11/16" 42.70mm	2 9/16" 65.36mm	4 1/4" 108.36mm	3 5/16" 82.84mm	1 15/16" 50.89mm	5 9/16" 141.39mm	5 1/2" 192.28mm
1 1/2"	6 7/16" 163.38mm	1 13/16" 45.50mm	3 1/4" 81.50mm	5 1/16" 127mm	3 7/8" 99.18mm	2 5/8" 66.97mm	8 1/4" 206.63mm	10 7/8" 273.60mm
2"	6 7/16" 163.38mm	1 13/16" 45.50mm	3 1/4" 81.50mm	5 1/16" 127mm	3 7/8" 99.18mm	2 5/8" 66.97mm	8 1/4" 206.63mm	10 7/8" 273.60mm

MATERIAL LIST

PART:	MATERIAL:
HANDLE	STEEL
STEM	ROD BRASS
BALL	C.P. BRONZE
BODY	BRONZE
VALVE SEAT	IMPREGNATED TEFLON
INDICATOR PLATE	STEEL
HANDLE LOCK	SPRING STEEL

*Available on 1 1/4" to 2" size units only. **3/4" UL Listed only.

USA PATENT #4741361 AND OTHER PATENTS PENDING

2" ELO/ESFR IS UL LISTED & FM APPROVED
1 1/4" ELO/ESFR IS UL LISTED

UL LISTING EX4019

AGF MANUFACTURING INC.

100 Quaker Lane
Malvern, PA 19355 USA
Telephone: (610) 240-4900
Fax: (610) 240-4906
www.testandrain.com



MADE IN U.S.A.

JOB NAME: _____
 ARCHITECT: _____
 ENGINEER: _____
 CONTRACTOR: _____